



movac group limited
the solution provider



ISSUE010210

PERSONAL PROTECTIVE EQUIPMENT

MPV**MPV FULL FACE AIR-FED VISOR OUTFIT**

A single airline supplies breathing and spraying air.

Waistbelt incorporates odour filter and pre-set visor air regulator.

Breathing air is gently and quietly dispersed through the tough, lightweight visor at a positive pressure.

Visor is supplied with both foam and fabric face seal cassettes.

The visor is hinged with adjustable crownstrap and ratchet headband.

**Specification**

Protection	APF=40 (suitable for use with Isocyanates)
Carbon Filter Life	1000 hours
Supply Pressure	3.8 bar (55 psi) - At hose supply connection max 7 bar (100 psi)

ITW DeVilbiss

Automotive Refinishing

MPV-623 Outfit

Part No	Description
MPV-623	Complete integral air-fed visor outfit with waistbelt

Accessories

Part No	Description
MPV-526	Complete integral visor with neck cover, hood and air tube
MPV-44-K10	Replaceable clear visor covers – kit of 10
MPV-476-K5	Replaceable foam face seal cassettes – kit of 5
MPV-477-K5	Replaceable fabric face seal cassettes – kit of 5
MPV-478-K5	Clear visor with visor cover lugs – kit of 5
MPV-457	Clear air tube with low noise diffuser
MPV-24-K5	Grey fabric neck cover – kit of 5
H-6085-QD	10 metre length air hose complete with male and female QD's
MPV-518	Complete waistbelt with regulator, filter cartridges & QD's
MPV-22	Replaceable waistbelt filter cartridge
MPV-455	Waistbelt regulator (does not include belt or QD)
MPV-519	Waistbelt filter housing
MPV-2-K5	Disposable elasticated 'Tyvek' protective hood – kit of 5
MPV-456	Rubber spray gun hose (4' long, 5/16" bore with QD fittings)
MPV-458	Stowage bag for masks or visors
MPV-424	Female, self sealing, QD air line fitting
MPV-10	Male stem, QD air line fitting with 1/4" BSP(M)
MPV-5	Male stem, QD air line fitting with 1/4" BSP(F)
MPV-442	Female miniature QD fittings for waistbelt to mask / visor
MPV-20	Male miniature QD stem for waistbelt to mask / visor



MPV-463



MPV-22



MPV-477-K5



MPV-476-K5



MPV-60-K3

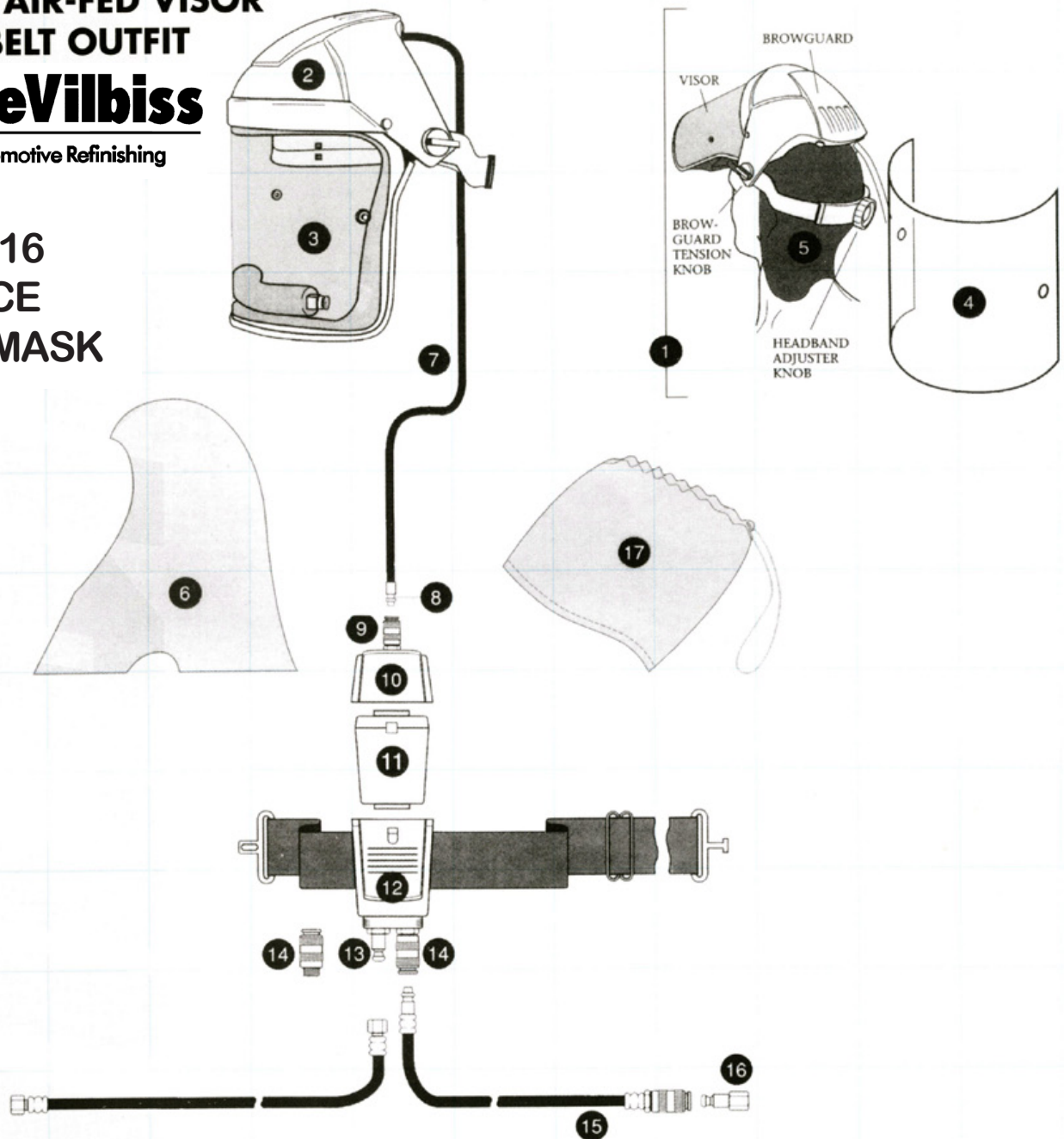
MPV

MPV-616 AIR-FED VISOR & WAISTBELT OUTFIT

ITW DeVilbiss

Automotive Refinishing

DeVilbiss DVMPV-616 HALF FACE AIR FED MASK



Ref No	Description	Part Number
1	Face mask assembly (Ref Nos 2-8)	MPV-517
2	Browguard assembly	MPV-453
3	Face mask & seal assembly	MPV-454
4	Kit of 10 face mask covers	MPV-1-K10
5	Kit of 5 neck covers	MPV-24-K5
6	Kit of 5 hoods	MPV-2-K5
7	Tube and diffuser assembly	MPV-457
8	Quick detachable stem	MPV-20
9	Quick detachable connector	MPV-442

Ref No	Description	Part Number
10	Regulator and housing	MPV-455
11	Disposable filter	MPV-22
12	Waistbelt and filter housing	MPV-519
13	Quick detachable stem	MPV-10
14	Quick detachable connector	MPV-424
15	Gun hose assembly	MPV-456
16	Quick detachable assembly	MPV-5
17	Stowage bag	MPV-458

MPV

COMPLETE AIR-FED HALF-MASK OUTFIT

A single airline supplies breathing and spraying air

One piece high specification goggles are included

The facepiece incorporates dual exhalation valves and an air inlet diffuser

Waistbelt incorporates odour filter and pre-set mask air regulator

Outfit includes high quality gun hose (1.2m x 8mm bore)

Specification

Protection	APF=20 (not suitable for use with Isocyanates)
Carbon Filter Life	1000 hours
Supply Pressure	3.8 bar (55 psi) - At hose supply connection max 7 bar (100 psi)



MPV-627 Outfit

Part No	Description
MPV-627	Complete air-fed half-mask outfit

Accessories

Part No	Description
MPV-506-2	Complete half-mask with cotton rimlet, hood & air tube
MPV-4006	One piece protective goggles for use with half mask
MPV-486	Half mask rubber facepiece only
MPV-489-K2	Half-mask exhalation valve
MPV-17-K10	Cotton mask-to-face rimlet-kit of 10
MPV-487	Rubber strap harness for half mask
MPV-488	Half-mask clear air tube assembly with mini QD fitting
MPV-59-K10	GOGGLE PROTECTION STRIP KIT 10
MPV-518	Complete waistbelt with regulator, filter cartridges & QD's
MPV-22	Replaceable waistbelt filter cartridge
MPV-455	Waistbelt regulator (does not include belt or QD)
MPV- 519	Waistbelt filter housing
MPV-2-K5	Disposable elasticated 'Tyvek' protective hood – kit of 5
MPV-456	Rubber spray gun hose (4' long, 5/16" bore with QD fittings)
H-5824	Supply hose, PVC, 25' long, 5/16" bore with 1/4" fittings)
MPV-458	Stowage bag for masks or visors
MPV-424	Female, self sealing, QD air line fitting
MPV-10	Male stem, QD air line fitting with 1/4" BSP(M)
MPV-5	Male stem, QD air line fitting with 1/4" BSP(F)
MPV-442	Female miniature QD fittings for waistbelt to mask / visor
MPV-20	Male miniature QD stem for waistbelt to mask / visor

ITW DeVilbiss

Automotive Refinishing



MPV-4006



MPV-22



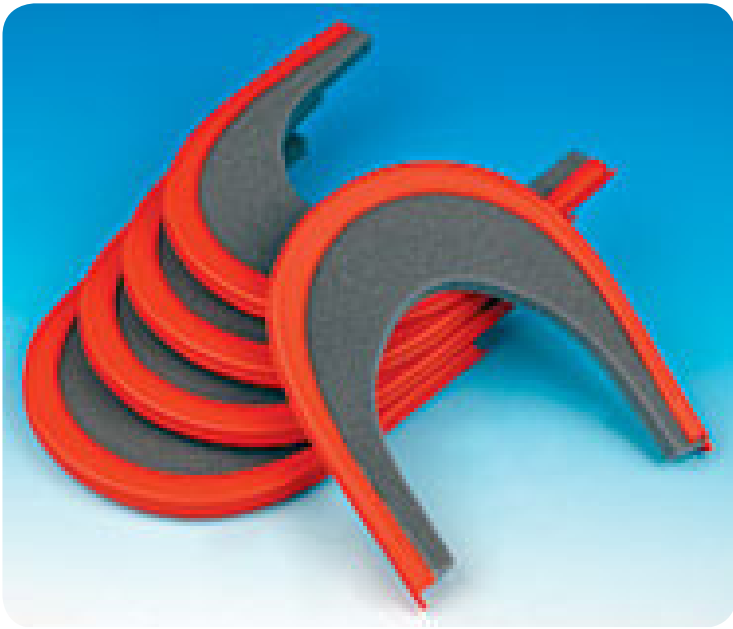
MPV-463



MPV-60-K3



H-6085-QD



DVMPV-476-K5

DVMPV-477-K5



DVMPV-4006

ITW DeVilbiss
Automotive Refinishing

DVMPV-22



AIR FED MASK

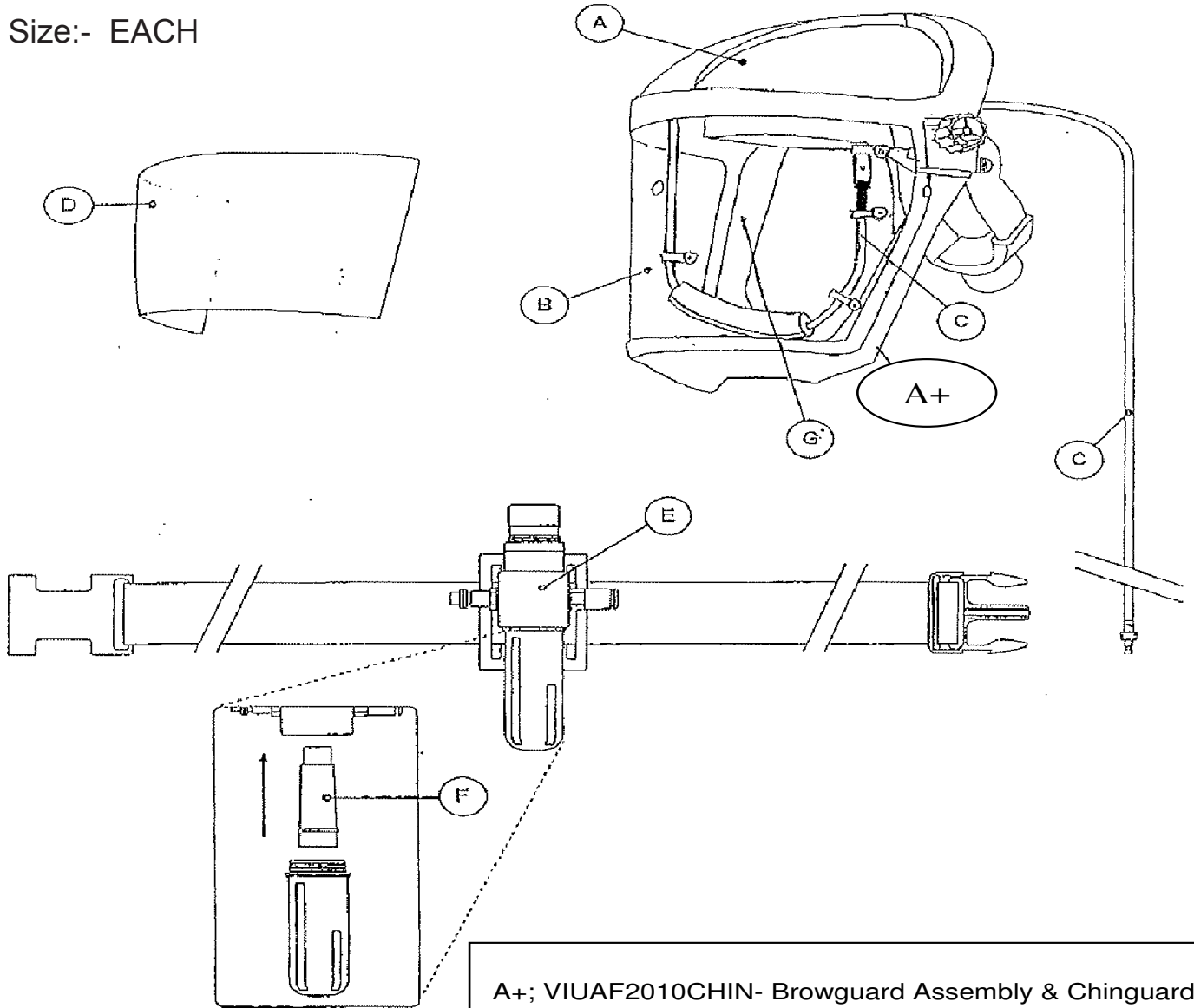
Anest Iwata VIUAF2010

A Cartridge type vision cassette, brow guard and visor, carbon filter.
Adjustable air control regulator & 1.2m 8mm bore hose included.
Neck and shoulder cover spare visor cover. Visual air flow check.



Full range of spares available.

Pack Size:- EACH



A+; VIUAF2010CHIN- Browguard Assembly & Chinguard
A; VIUAF2010HEAD - Complete Headpiece (no reg)

B; VIUAF2010V- 170mm Acetate Visor

C; VIUAF2010DIFF- Breathing Tube

D; VIUAF2112/K10- Peel Off Visor Cover

E; VIUAF2107- Regulator & Belt Assembly

F; VIUAF2006- Carbon Cartridge

G; VIUAF2101K5- Hygiene Kit (5x Face seals & 5x Sweatbands)



AIR FED MASK



Sata SAT52662

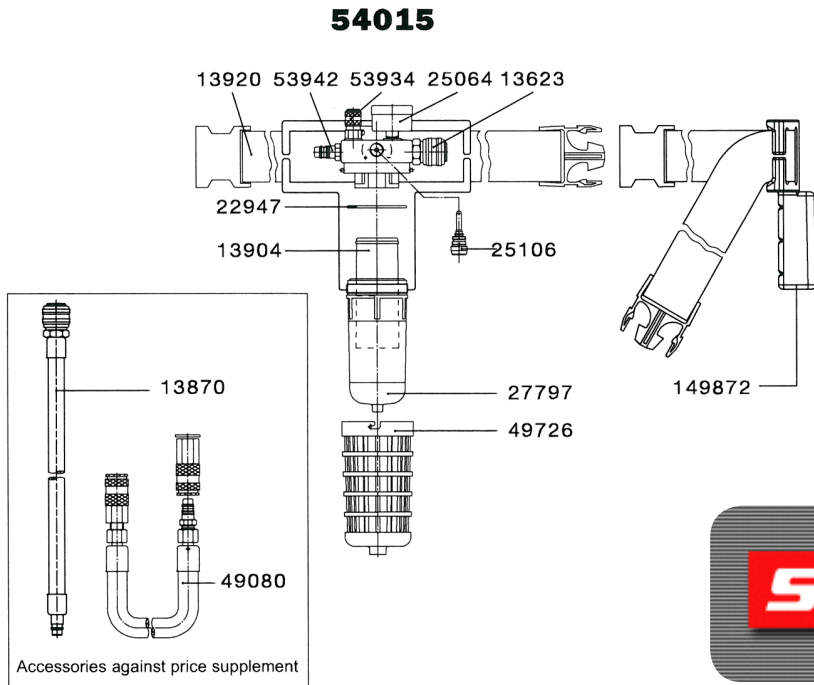
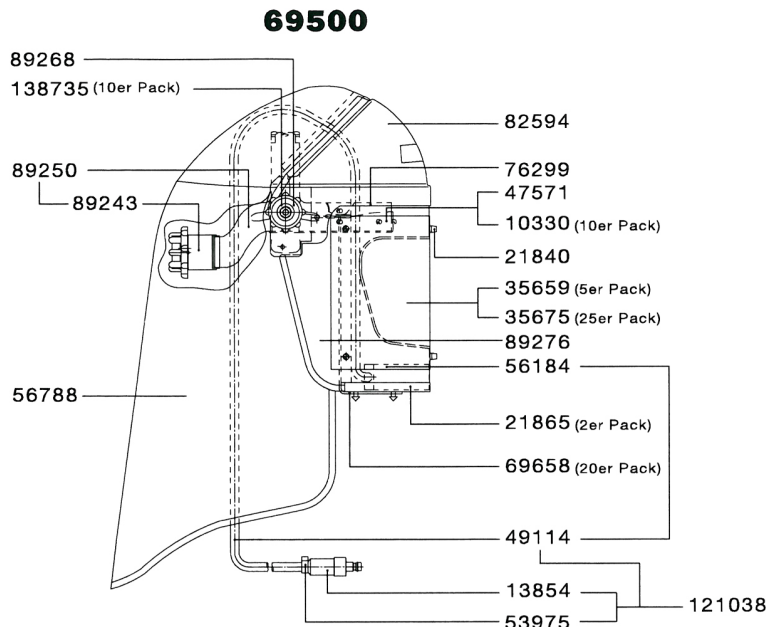
Sata Vision 2000 Air Fed Mask complete paint spray respirator. Comes complete with neck cover, charcoal belt filter with regulator and gun hose. Full range of spare parts available.

Pack Size:- EACH

SATA vision 2000



Art. No./ Descr.
13623 SATA quick coupling 100.14 G 1/4 outside thread
13920 Belt with buckle for respirator
13854 Silencer f. SATA respirator
13870 Air hose 1.2 m cpl. with fittings
21865 Bottom part (2 pcs.) for vision 2000
21840 Set of plug-in nipples, complete, for vision 2000
22947 O-ring 54 x 2,5 mm Perbunan for respirator housing
25064 Gauge f. Super respirator adsorber
25106 Spindle, complete, for adsorber (CE)
27797 Adsorber glass f. full face respirator
47571 Respirator sweat ribbon, artificial leather
49114 Air hose 1850 mm f. SATA CE respirator w. acoustic warning device + foam sleeve
49726 Protective cage f. respirator filter unit
53934 Safety quick coupling
53942 Nipple G 1/4
53975 Hose clamp 10.5 GER
56184 Foam sleeve for CE respirator
76299 Foam stripes, one side self-adhesive
82594 Hood with velcro tape, loose, for vision 2000 respirator
89243 Adjustable part for head strap of vision 2000 respirator
89250 Head strap, cpl., for vision 2000 respirator
89268 Double screws for vision 2000 respirator
89276 Carrier frame with side parts, plug-in nipples and bottom part
121038 Air hose 1850 mm acoustic warning device w. foam sleeve and silencer, cpl. w. fittings
138735 Pack of 10 units square screw connection
149872 1 belt cushion 146415 and installation instructions 149013



AIR FED MASK

Willson WILLDMAK-0021

A single airline supplies both breathing and spraying air. The waist belt incorporates odour filter and a pre-set visor air regulator. This is our low cost Air Fed mask.

Pack Size:- EACH

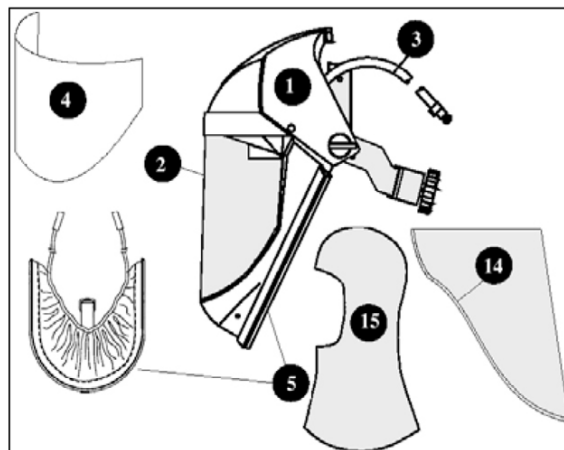


WILLSON®

AIRVISOR MV

Complete assemblies ready to use with a supply of breathable quality compressed air in conjunction with Clearflow filter systems. All kits include a waistbelt unit with quick release connectors, a visor assembly with a secure fitting headband, fabric head cover, storage bag and instructions for use

To satisfy COSHH (1988) Regulations Airvisor Kits must be used with approved Blueline hose



AIR-SUPPLIED RESPIRATOR KITS

Article Code	Drawing Number	Description
1001645		DMAK-0021 Airvisor MV Spray Painting Kit complete with: acetate chemical resistant visor (EN166 3-F), spraygun air hose with quick release connectors, one fabric cassette, two disposable visor covers, fabric balaclava and head cover, waistbelt complete (DAVW-1001), carrying bag. HSE Class 2 approved product



REPLACEMENT HEADPIECES

1001653		DMAK-0071 Airvisor MV visor only with: browguard & headband, acetate chemical resistant visor (EN 166 3-F), one fabric cassette, fabric balaclava and head cover
1001654		DMAK-0072 Airvisor MV visor only with: browguard & headband, polycarbonate visor (EN 166 39-B), one fabric cassette, fabric balaclava and head cover

SPARES AND ACCESSORIES

1001685	1	DMAS-1601 Replacement browguard with moulded frame.
1001774	2	DTVS-1503/5 Replacement polycarbonate visor
1001775	2	DTVS-1504/5 Replacement acetate visor
1001778	4	DTVS-1507/10 Spare MV visor covers
1001779	4	DTVS-1508/50 Spare MV visor covers
1001780	5	DTVS-1509/5 Spare foam cassette
1001781	5	DTVS-1510/5 Spare fabric cassette
1001675	3	DAVS-1407 Air supply tube with diffuser and quick release plug connector
1001676	14	DAVS-1408/5 Spare fabric head cover
1001716		DAF-0705 Disposable chemical hood.
1001733	15	DAF-9257/5 Disposable fabric balaclava
1001799		DTVR-CP Comfort pad - Front of headband



COVERALLS

MPC/****

DuPont TYVEK classic paint-shop coverall with cuff, ankle, facial & waist elastification CE Marked complies with category III. Type 5&6 protect from hazardous substances protects against particles & limited liquid splashes & spray.

Pack Size each

Sizes Available:- L/XL/XXL



STANOL

Blue Nylon Spray Overall. Front zip and elasticated cuffs. Lasts long time in typical bodyshop environment.

Pack Size EACH

Size Available:- L/XL



MPH

Disposable Spray hood

Pack Size EACH



3M50198/**

3M's Disposable Spray Coveralls. Has a unique heat reducing breathable panel on the back. Other benefits, lint free, two way zip, cotton rimmed cuffs and a stick anywhere pocket.

Pack Size EACH

Sizes Available:- M/L/XL/XXL



HEARING PROTECTION

PLUG IN SORT

3M1100

Disposable Ear Plugs protects against harmful noise especially where noise is continuous.

Complies with EN 352-2:2002 SNR = 37dB
CE Marked

Pack Size 200 Individual Pairs One Size



BANDED EAR PROTECTORS

3M1310

Banded Ear Plus protects against harmful noise especially in hot/humid conditions.

Complies with EN 352-2:1993 SNR = 26dB CE Marked

Pack Size Box 10 Pairs



3M1311

Replacement Ear Plugs for 3M1310 above.

Pack Size Pack 10

EAR DEFENDERS

SEASSP18

Standard Ear Defenders lightweight yet rugged construction offering protection to BSEN352 SNR Rating 270dB.

Adjustable swivel cups for comfort. Fully approved to protect against noise levels in most working environment

Pack Size Each



EYE PROTECTION

3M2790A

Superior fit and protection, with an excellent field of view. Durable and hard wearing. Fit for extreme conditions such as liquid droplets, gases and dust. Acetate lens makes this suitable for paint mixing & spraying, as it can be cleaned.

Pack Size Each



3M2720S

Polycarbonate lens suitable for use when the risk is high speed particles. Lightweight and comfortable. Suitable for polishing, hand finishing, and sanding.

Pack Size Each



SEASSP11

BSEN166/B39 - Deluxe brow-guard with full face shield ratchet adjustable headband with front & back padding for extra comfort. Automotive & Industrial applications.

Pack Size Each



DISPOSABLE MASKS

3M06941

FFP2 Maintenance Free Respirator

Maintenance Free respirator suitable for organic vapours and particulates. Low profile, good seal re-usable. For mixing of paints, application of coatings, adhesives, sealers, degreasing.
Available in FFP2 Format Pack Size Each



3M06920

FFP2 Welding Fume Respirator

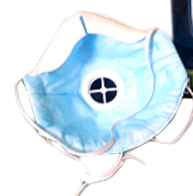
For protection from fine lung damaging dusts and welding/brazing fumes and ozone. Carbon filtration system. Collapse resistant and flame retardant shell. Suitable for MIG, TIG & ARC welding and galvanised parts.
Available in FFP2 Format Pack Size PK5



UPRESPV

FFP2 Classic Dust mask

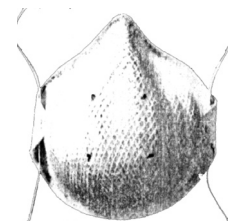
Soft comfortable high performance dust mask with 3 layer filtering system. adjustable latex free straps. Valved for easy breathing especially in hot and humid conditions.
Available in FFP2 Format Pack Size PK10



M1100/50

Convenience Mask

Lightweight dust mask with adjustable nose clip for added comfort and heat reduction. Minimal protection
Pack Size: PK50



M2360 No Vent

FFP1 Classic Dust Mask

Soft secure feel design dust mask. Excellent for use in conjunction with eye wear. One way exhalation valve
Available in FFP1 Format Pack Size PK20



M2405/20 Vented

FFP2 Classic Dust mask

For protection from fine lung damaging dusts and particulates. Carbon filtration system. Collapse resistant
Available in FFP2 Format Pack Size PK20



M3305/15

FFP2 Welding Mask

Lightweight, preformed welding mask with nose foam and adjustable clip. Pleated filter technology. Reusable.
Available in FFP2 Format Pack Size PK5



M8100

A1 Gas Filter Cartridge

Lightweight filter for 8000 series masks
Pack Size PK5



GLOVES

GLVNIT/**

330mm Heavy-duty nitrile gauntlets designed to cope with thinners and similar aggressive liquids. CE Marked and manufactured to CAT 3 BSEN388, 407 and 374.
Pack Size: PAIR SIZES M/L/XL

Nitrile Glove



GLVRIG

Strong stitching, a generous fit and quality materials make this an ideal glove for general industrial use.
Pack Size PAIR

Riggers Glove



MGLVALV/**

Ambidextrous, green latex rubber gloves with Aloe Vera. Manufactured to AQL1.5 grade. Conforms to CE Class 1 standard BSEN455. Protein content less than 0.01%. Textured for better grip. Non powdered. Non sterile. The pure smoothing Aloe Vera gel is coated entirely on the inside of the glove and has been designed to meet the problem of skin complaints from prolonged glove usage.
Pack Size PK100 sizes L

Latex Glove with Aloe Vera



GLVNITD/**

Ambidextrous, blue nitrile glove, 100% latex free. Conforms to AQL1.5, marked CE Class 1 Medical grade standard, in compliance with BS EN455. Offers protection against certain chemicals. Non powdered
Pack Size PK100 sizes: S/M/L/XL

Disposable Nitrile Glove



MGLV/**

Ambidextrous, disposable, powdered, natural rubber latex gloves. Low residual protein to minimise the risk of type IV allergies. Manufactured to AQL1.5, conforming to BS EN455, Medical grade standard.
Pack Size PK100 sizes: S/M/L/XL

Disposable Latex Glove



MGLVNP/**

Ambidextrous, disposable, **non**-powdered natural rubber latex gloves. Low residual protein to minimise the risk of type IV allergies. Manufactured to AQL1.5, conforming to BS EN455, Medical grade standard.
Pack Size PK100 sizes: L

Disposable Latex Glove



GLVPVC

Knitted wrist waterproof glove with PVC coating for protection against a wide range of liquids including insecticides. Sanitized liners keep gloves fresher for longer. CE Marked and conforms to BSEN388 CAT 2.
Pack Size: PAIR

PVC Glove



WWEAD009

BSEN388, BSEN407 - Welding gauntlets offer superior protection from spatter, heat and radiation. Comfortable, durable and preferred by the professional welder.
Pack Size PAIR

Welding Gauntlet



MISCELLANEOUS

GRANULES

General Purpose Spillage

A general use spillage medium useful for paints, oil and similar Oil absorbent granules.
Pack Size: Bag 10Kg



LUB75-5000

General Purpose Absorbent Mat

A hugely absorbent pack of absorbent mats for general workshop spills. 50 x40cms
Pack Size: BOX 100



SEASSPHV-SIZE

Hi Viz Jacket

A unisex High Visibility Jacket with velcro fastening conforming to BSEN47
Pack Size: EACH L/XL



This brochure is a small representation of the vast range of PPE products that Movac stock and sell.

If the product you require is not listed please do not hesitate to ask!